

JUST GROW IT.

idrolab[®]
HYDROPONICS

PRODUCTS CATALOG



idrolab[®]
HYDROPONICS

PRODUCTS CATALOG

Premium Nutrients	03
Idropots & Idrocaps	07
Idrotrays	09
Idroracks	11
Idroroll	13
Idroracks & Idroroll Heavy	15
RDWC System	21
Uriel 600-A Led	27

PREMIUM NUTRIENTS

YOU'LL NEVER GO BACK



Perfectly balanced, formulated with the scope of providing the grower a revolutionary level of control over the nutrition of the plants. They guarantee an explosive growth, increased yield and superior quality of the final product. Our nutrients favor the expression of a plant's genetic potential and they are suitable for any application in forced cultivation environment.

PREMIUM NUTRIENTS VEG A & B 2 PART VEGETATIVE NUTRIENT

Premium Nutrients VEG A & B is a bi-component nutrient with all the micro and macro nutrients required for a flourishing vegetative growth. It is specifically formulated to provide the plants a stable and ready - available full and balanced spectrum of elements



CODE	DESCRIPTION	PCS / BOX
IHPNVA1	PREMIUM NUTRIENTS VEG A 1L	12
IHPNVA5	PREMIUM NUTRIENTS VEG A 5L	4
IHPNVA25	PREMIUM NUTRIENTS VEG A 25L	1
IHPNVA1000	PREMIUM NUTRIENTS VEG A 1000L	1
IHPNVB1	PREMIUM NUTRIENTS VEG B 1L	12
IHPNVB5	PREMIUM NUTRIENTS VEG B 5L	4
IHPNVB25	PREMIUM NUTRIENTS VEG B 25L	1
IHPNVB1000	PREMIUM NUTRIENTS VEG B 1000L	1

PREMIUM NUTRIENTS BLOOM A & B 2 PART BLOOM NUTRIENT

Premium Nutrients BLOOM A & B is a bi-component nutrient with all the micro and macro nutrients required for an abundant flowering. It is specifically formulated to provide the plants a stable and ready - available spectrum of complete and balanced elements.



CODE	DESCRIPTION	PCS / BOX
IHPNBA1	PREMIUM NUTRIENTS BLOOM A 1L	12
IHPNBA5	PREMIUM NUTRIENTS BLOOM A 5L	4
IHPNBA25	PREMIUM NUTRIENTS BLOOM A 25L	1
IHPNBA1000	PREMIUM NUTRIENTS BLOOM A 1000L	1
IHPNBB1	PREMIUM NUTRIENTS BLOOM B 1L	12
IHPNBB5	PREMIUM NUTRIENTS BLOOM B 5L	4
IHPNBB25	PREMIUM NUTRIENTS BLOOM B 25L	1
IHPNBB1000	PREMIUM NUTRIENTS BLOOM B 1000L	1

PREMIUM NUTRIENTS BOOSTER A & B

TRANSITION STAGE AND BUD ENANCHER

Premium Nutrients BOOSTER A is a mix of macro-nutrients and magnesium specifically formulated to improve yield through the optimization of the transition between vegetative and flowering stage, preparing the plant to produce an increased number of flowers.

Premium Nutrients BOOSTER B is specifically formulated to push the cultivation toward the harvest. It contains higher concentrations of phosphorous and potassium to supply the higher demand of macro-nutrients during flowering. The solution is enriched with a mix of micro-nutrients that promotes the biosynthesis of amino acids, vitamins and enzymes involved in the production of complex sugars and essential oils.



CODE	DESCRIPTION	PCS / BOX
IHPNBOA1	PREMIUM NUTRIENTS BOOSTER A 1L	12
IHPNBOA5	PREMIUM NUTRIENTS BOOSTER A 5L	4
IHPNBOA25	PREMIUM NUTRIENTS BOOSTER A 25L	1
IHPNBOA1000	PREMIUM NUTRIENTS BOOSTER A 1000L	1
IHPNBOB1	PREMIUM NUTRIENTS BOOSTER B 1L	12
IHPNBOB5	PREMIUM NUTRIENTS BOOSTER B 5L	4
IHPNBOB25	PREMIUM NUTRIENTS BOOSTER B 25L	1
IHPNBOB1000	PREMIUM NUTRIENTS BOOSTER B 1000L	1

CAL - MAG

MICROELEMENTS SUPPLEMENT

Premium Nutrients BOOSTER CAL-MAG is a calcium, magnesium and iron supplement in readily-available forms for plants. It prevents nutritional disorders and is suitable also for leaf applications. Diluted in solution together with the other nutrients it acts as a catalyst in the absorption of all the other essential minerals.



CODE	DESCRIPTION	PCS / BOX
IHPNCM1	PREMIUM NUTRIENTS CAL-MAG 1L	12
IHPNCM5	PREMIUM NUTRIENTS CAL-MAG 5L	4
IHPNCM25	PREMIUM NUTRIENTS CAL-MAG 25L	1
IHPNCM1000	PREMIUM NUTRIENTS CAL-MAG 1000L	1

TOTAL CARE

GROWTH ZONE PURIFIER

Premium Nutrients TOTAL CARE is a multi-spectrum sanitizing solution that helps the descaling of minerals, reduced the potential habitat of pathogens and biofilms, encourages a healthy root development, keeps sanitized the hydroponic system, growth mediums, tanks and pipes.



CODE	DESCRIPTION	PCS / BOX
IHPNTC1	PREMIUM NUTRIENTS TOTAL CARE 1L	12
IHPNTC5	PREMIUM NUTRIENTS TOTAL CARE 5L	4
IHPNTC25	PREMIUM NUTRIENTS TOTAL CARE 25L	1
IHPNTC1000	PREMIUM NUTRIENTS TOTAL CARE 1000L	1

MOSA 7%

MOSA 7% is a mixture based on microelements containing Zinc, Molybdenum, Pure and stabilised Monosilicic Acid extremely bioavailable for the plant.

The innovative technology used for the extraction allows to reach revolutionary monosilicic acid concentrations. It causes a thickening and strengthening of the cell walls with accumulation of bioavailable silicon creating a mechanical barrier that improves the resistance of the plant against abiotic and biotic stresses. It increases the efficiency of the nutrient solution by acting as an efficient transporter establishes an optimal balance between nutrients by controlling the phenomena of antagonism and accumulation of salts.

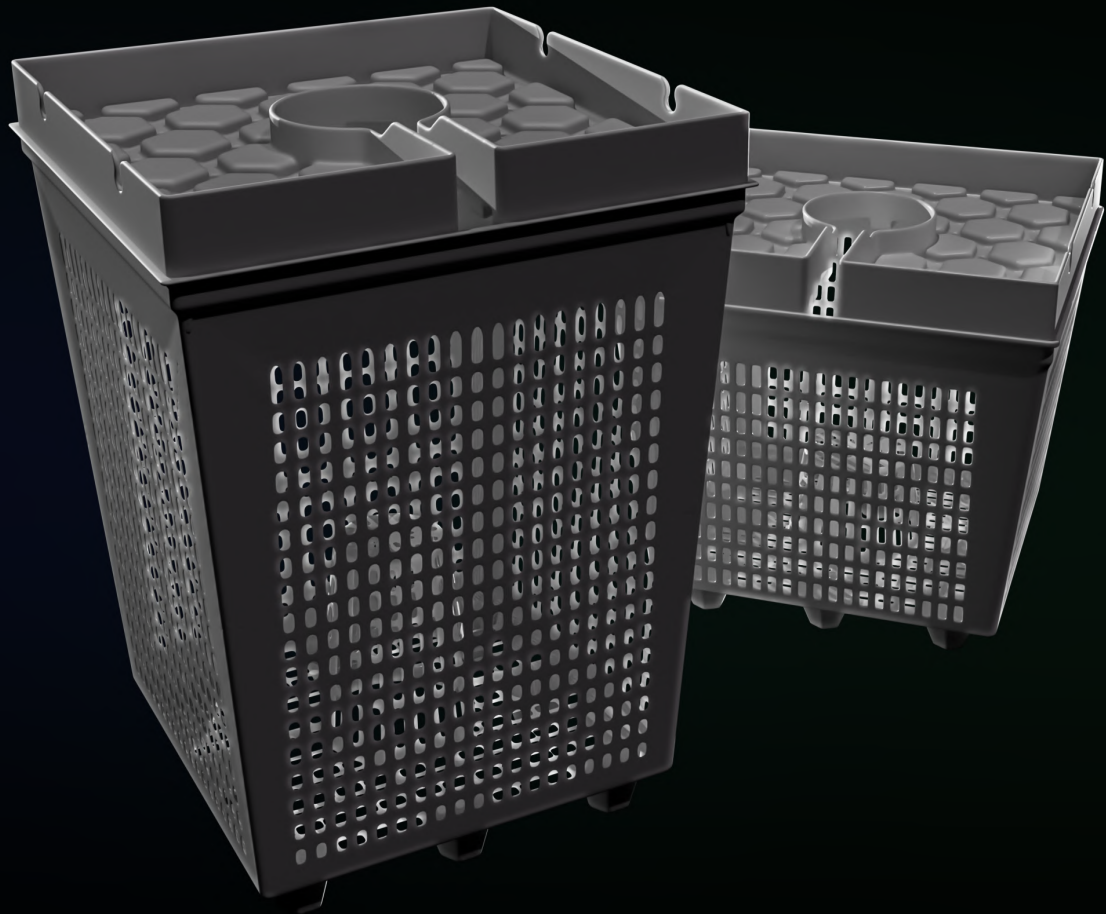
MOSA 7% improves crop yield, increases the quality of productions, improves the response of self-defense of the plant, reduces and controls the effects of stress, reduces stomatal transpiration, improves the shelf life, color and conservation of crops.



CODE	DESCRIPTION	PCS / BOX
IHPNMOSA7	PREMIUM NUTRIENTS MOSA 7% 1L	12

IDROPOTS & IDROCAP

AN UNPRECEDENTED DESIGN



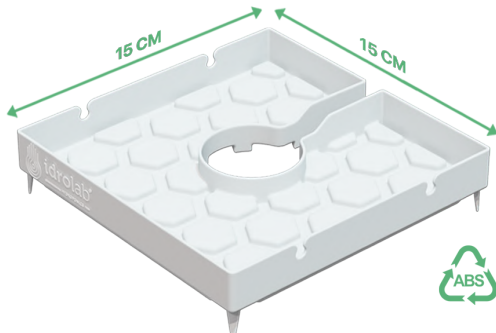
Much More Than a pot for Soilless Cultivation. An Innovative, simple, reliable, and eco-friendly hydroponic system that dramatically improves performance in irrigation diffusion and grow media drying rate.

IDROPOT

Available in 2.25L and 4.5L versions. Micro-perforated design, complete with footed and reverse cone bottom for unprecedented gas exchange between substrate and atmosphere, promoting uncompromised root growth.

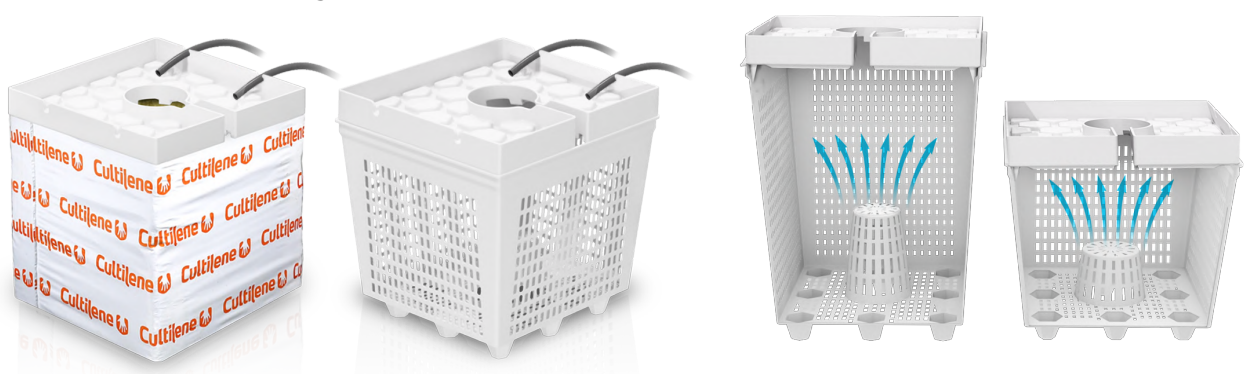


Eliminates the effect of root spiralisation and reduces post-transplant stress. It takes the concept of air pruning to the extreme and ensures perfect drainage. They work in combination with all substrates, and with any growing technique.



IDROCAP

Diffuser device for precision irrigation. Optimises the effectiveness and distribution of irrigation with savings in water, time and money. It allows uniform wetting of the substrate surface with automatic irrigation systems and manual irrigation, stimulating a more natural dispersion of water.

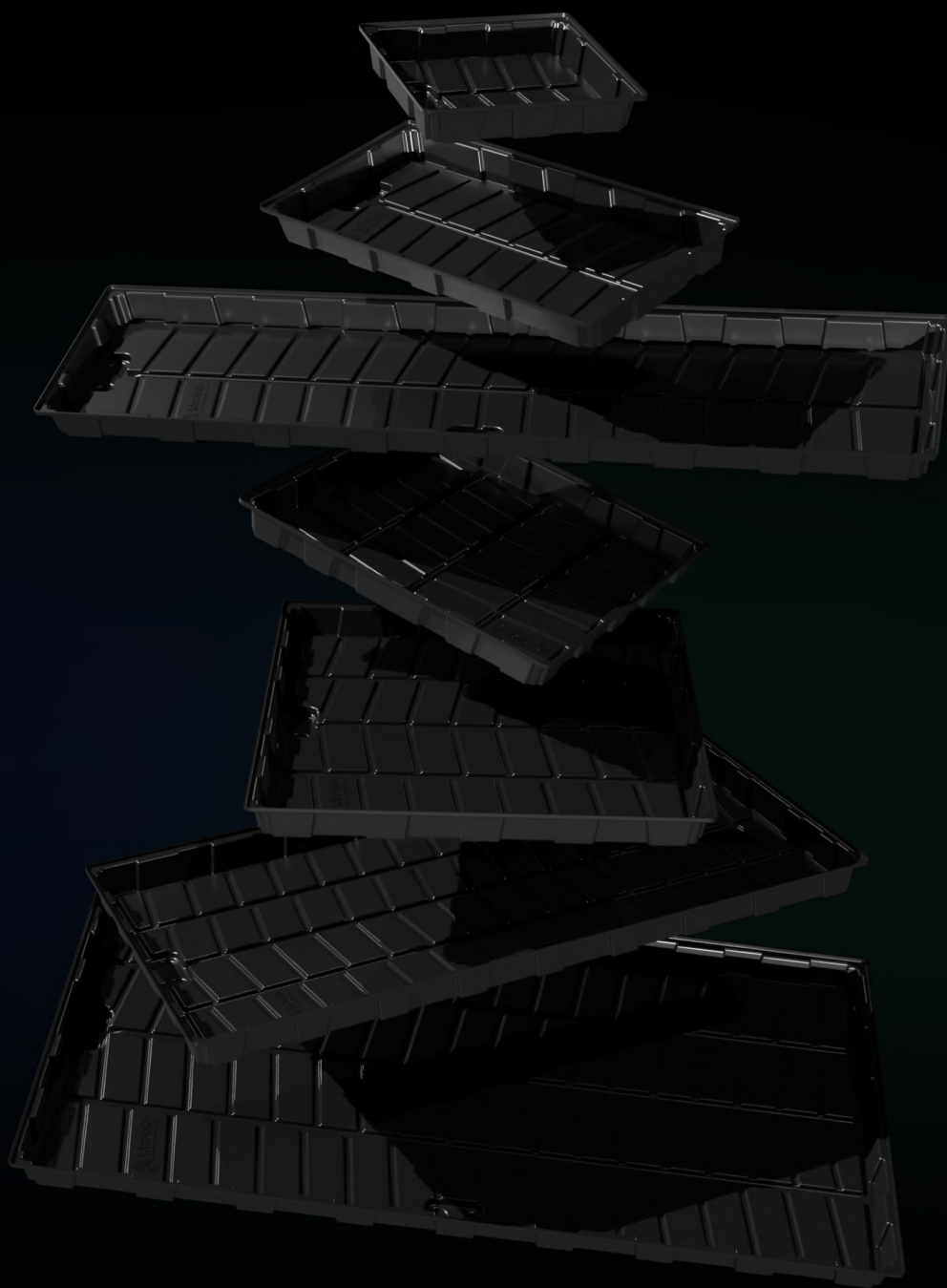


Slots provided to attach up to 4 drippers. It helps maintain a healthier environment by blocking the passage of light on the surface of the substrate.

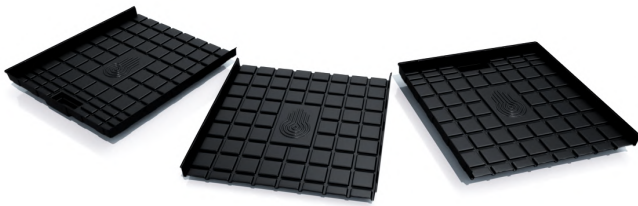
CODE	DESCRIPTION	PCS / BOX
IHIP45	IDROPOT 15,5 X 15,5 X 19H 4.5L	60
IHIP25	IDROPOT 15,5 X 15,5 X 13H 2.25L	120
IHIC15	IDROCAP 15 X 15	250

IDROTRAYS

MAXIMIZE YOUR PRODUCTION



Idrotrays Infinity™: modular ABS plastic trays available in three different configurations of 120 cm x 120 cm x 10 cm depth, designed to be seamlessly integrated into your commercial setting.



By combining different modules, you can create an extended growing space of your desired length to maximise the usable space in your facility.

IDROTRAYS INFINITY™

CODE	DESCRIPTION	PCS / PALLET
IHIT120S	IDROTRAYS ABS GROW TRAY <i>START</i> 120X120	16
IHIT120M	IDROTRAYS ABS GROW TRAY <i>MODULAR</i> 120X120	16
IHIT120E	IDROTRAYS ABS GROW TRAY <i>END</i> 120X120	20

IDROTRAYS STANDARD™

Idrotrays Standard™ : plastic ABS trays available in a full range of standard sizes, suitable for any type of grower in any growing environment.

The tray design allows perfect drainage of the nutrient solution, and increased edge height allows for easier, risk-free flooding. As always, only the best materials on the market are used for production.



CODE	DESCRIPTION	PCS / PALLET
IHIT6060	IDROTRAYS ABS GROW TRAY 60X60	48
IHIT1010	IDROTRAYS ABS GROW TRAY 100X100	40
IHIT1260	IDROTRAYS ABS GROW TRAY 120X60	42
IHIT1212	IDROTRAYS ABS GROW TRAY 120X120	36
IHIT2010	IDROTRAYS ABS GROW TRAY 200X100	40
IHIT2412	IDROTRAYS ABS GROW TRAY 240X120	24
IHIT2460	IDROTRAYS ABS GROW TRAY 240X60	36

These trays are manufactured to last the test of time. They are completely safe to use, and are designed by growers, for growers.. Ecco perché Idrolab Hydroponics® stampa con plastica ABS vergine:

- Chemical Resistant
- Extreme dimensional stability: low water absorption and low thermal expansion
- Non-leaching characteristics
- 100% recyclable
- Melting point among the highest in the market.

IDRORACKS

DESIGNED FOR YOUR NEEDS



A static bench that can be increased in length by 1.2 m² increments. **Idrorack** supports vertical expansion up to 3 tiers. Fix it directly to the floor, or install castor wheels or rails to help maximise your cultivation space.

FIRST LEVEL

STANDARD SURFACE AREA

SECOND LEVEL

DOUBLE SURFACE AREA WITH A MAXIMUM HEAD HEIGHT OF **180 CM** BETWEEN LEVELS

THIRD LEVEL

TRIPLE THE SURFACE AREA WITH UP TO **90 CM** AVAILABLE HEAD HEIGHT BETWEEN LEVELS

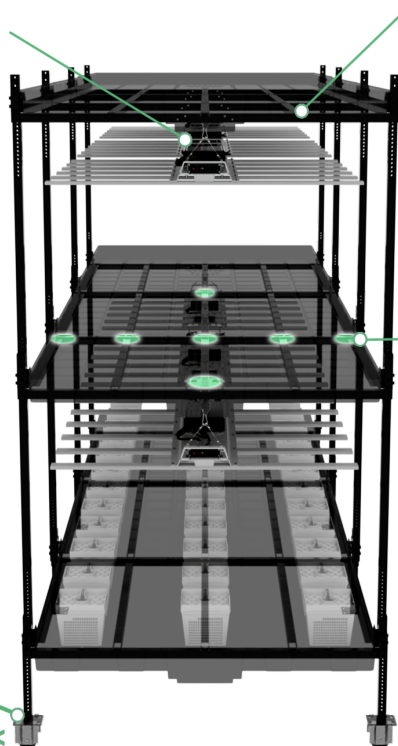


LIGHTING FIXING

Design for easy integration with any lighting system.

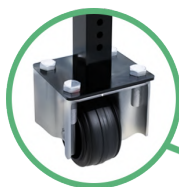
LOCKING SYSTEM

Locking system reduces the time, and the hardware required for assembly.



HANDLING ACCESSORIES

Can implement castor wheels to allow movement within your grow facility.



BUILT TO LAST

Ultra-rigid design for homogeneous load distribution. Can support over 150 kg per m².

CODE	DESCRIPTION
IHIRKSE	IDRORACK "START + END" KIT 120 X 240
IHIRKM	IDRORACK "MODULAR" KIT 120 X 120
IHIRK2SE	IDRORACK 2 "START + END" KIT 120 X 240
IHIRK2M	IDRORACK 2 "MODULAR" KIT 120 X 120
IHIRK3SE	IDRORACK 3 "START + END" KIT 120 X 240
IHIRK3M	IDRORACK 3 "MODULAR" KIT 120 X 120

IDROROLL

ROLLING AFFAIRS

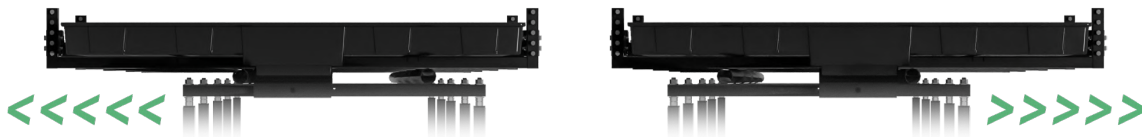
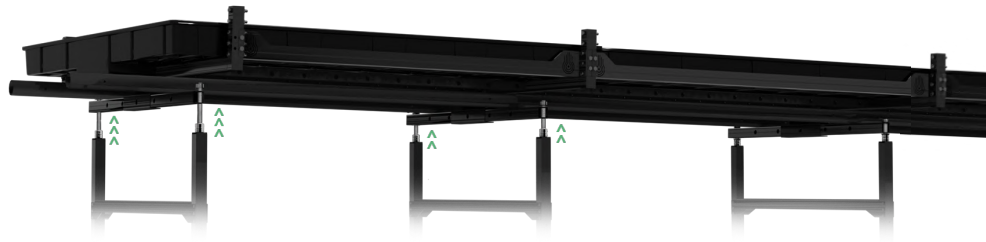


Create your passage corridors where you want and when you need.



DRAINAGE

Adjust the slope with the threaded bar for perfect drainage of the nutrient solution.

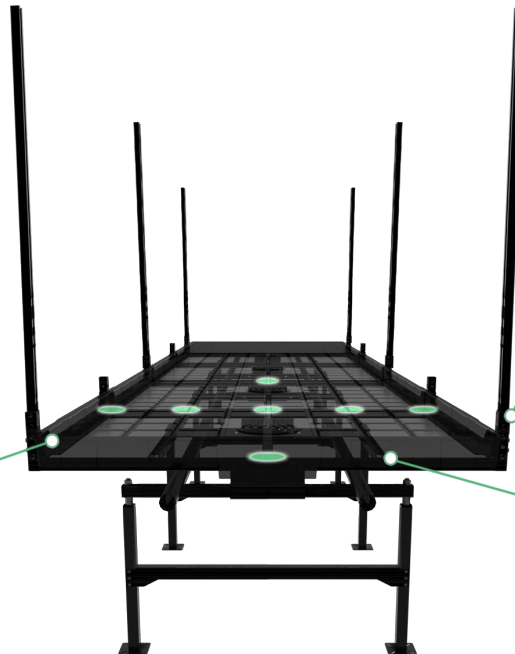


PASSAGE CORRIDORS

The frames are designed to slide 25 cm to the right and 25 cm to the left to create an aisle where there was none before.

BUILT TO LAST

Ultra-rigid design for homogeneous load distribution. Able to support over 150 kg per m².



NET POLE SLOTS

Net pole slots already integrated in the underframe.

LOCKING SYSTEM

A majority of the frame can be locked together to reduce the number of screws and



CODE

DESCRIPTION

IHIRLSE

IDROROLL "START + END" KIT 120X240

IHIRLM

IDROROLL "MODULAR" KIT 120X120

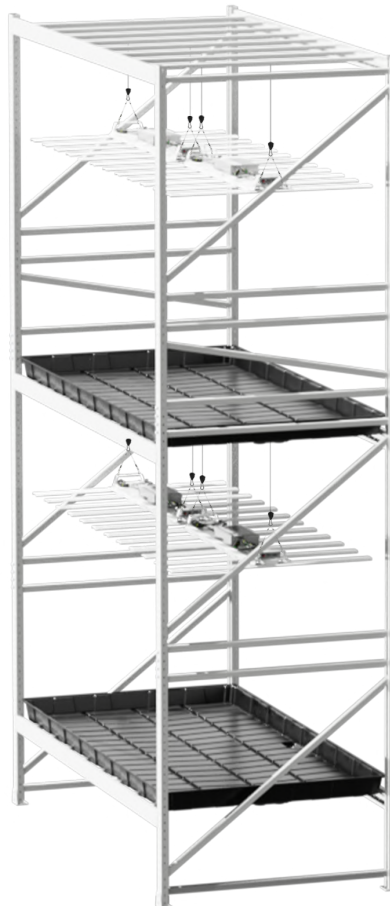
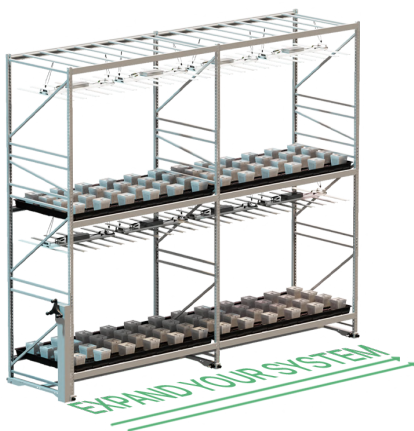
IDRORACKS & IDROROLL HEAVY



OPTIMIZE WORKFLOW AND MAXIMIZE PROFIT

Optimizing workflow and maximizing profit are essential goals for any grower. Our Heavy versions of the popular idrorack and idroroll are designed precisely with these objectives in mind.

With a higher load capacity, vertical development reaching up to 6 meters, and all-metal construction with a minimum thickness of 2mm, these units are built to handle the demands of scaling up production.

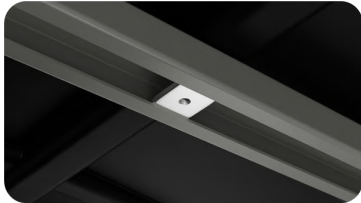


CUSTOMIZED FOR YOUR SPACE

We understand that every growing space is unique, which is why our Heavy units are available in nearly every size imaginable. Designed to seamlessly integrate with our range of standard trays, they offer a multitude of customizations to suit any space and cultivation technique.

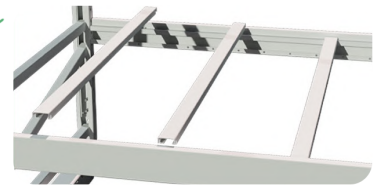
LIGHTING FIXING

Design for easy integration with any lighting system.



LOCKING SYSTEM

The locking system reduces the time and hardware required for assembly.



MODULAR DESIGN

Choose the length of your system and where to place grow levels without any limits.



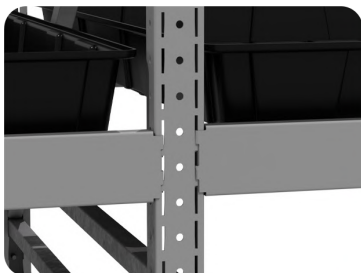
SAFE STACKING

Safely reach a height of 6 meters to increase your profits.



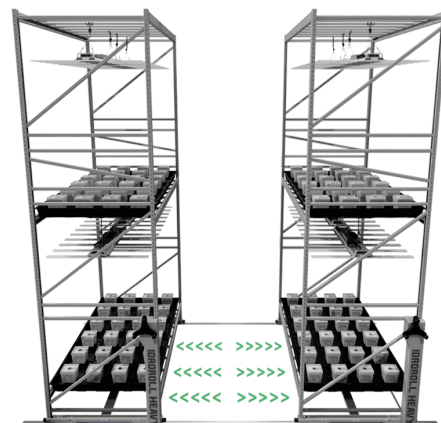
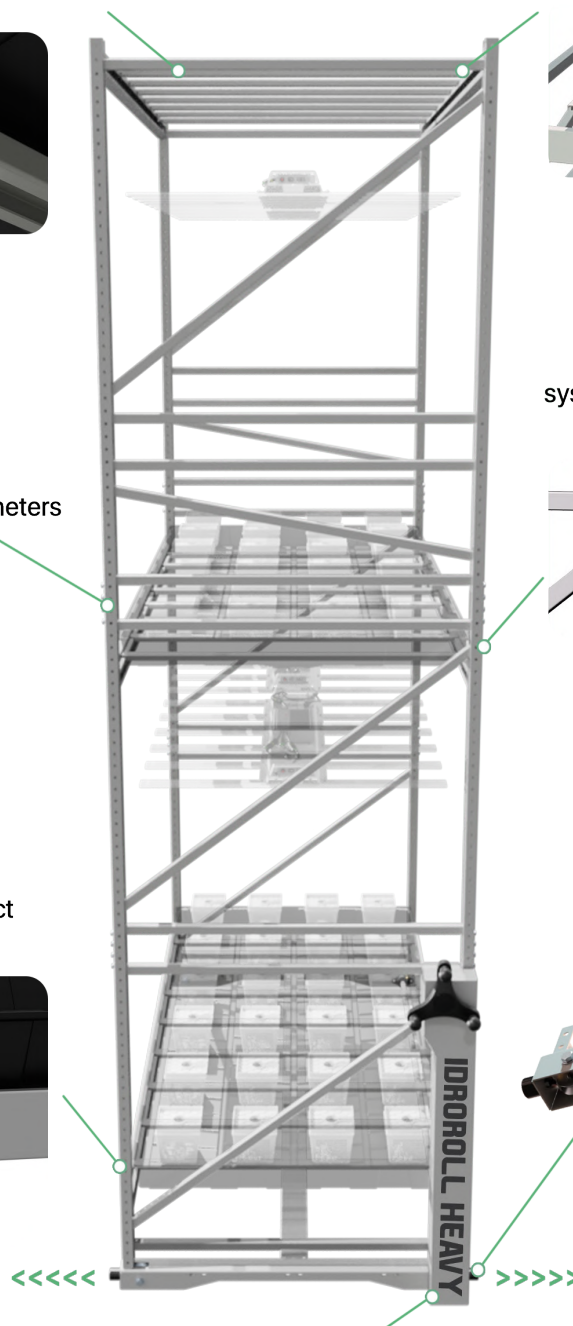
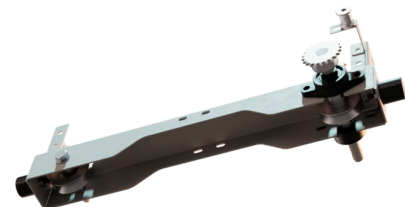
BUILD IN SLOPE

Constructed on a slope to promote consistently perfect drainage or runoff water.



MAKE IT MOVE

Move your vertical rack with minimal effort by equipping it with a handling system.





1000x1000



600x1200



600x2400



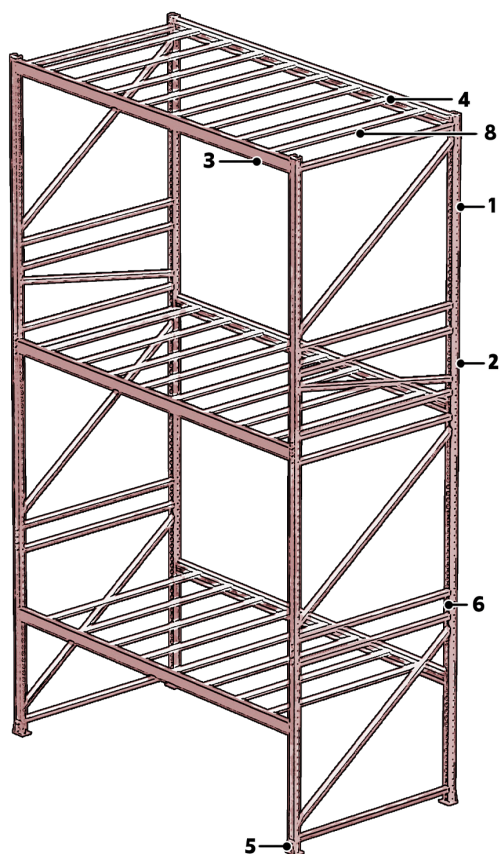
1200x1200



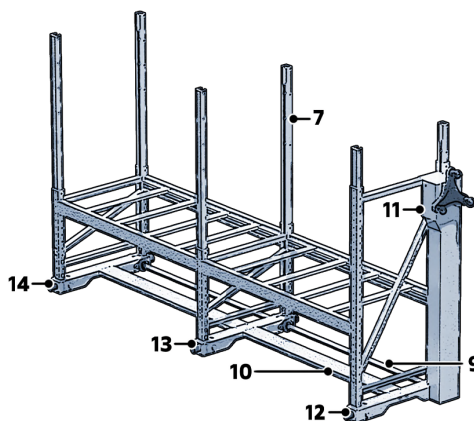
1000x2000



1200x2400



- 1 - WELDED UPRIGHT 1200 (IHIRGXS12)
- 2 - WELDED UPRIGHT 500 (IHIRGXS50)
- 3 - SIDE BEAM (IHIRHSL)
- 4 - CROSSBAR (IHIRHTA)
- 5 - GROUND ANCHOR PLATE (IHIRHPFT)
- 6 - UPRIGHT JOINT PLATE (IHIRHPGG)
- 7 - NET POLE 1200 (IHIRHPR)
- 8 - THREADED ANCHOR PLATE (IHIRHPFF)
- 9 - TUBO COLLEGAMENTO RUOTE (IHIRHTR)
- 10 - LEGS HEAVY CROSSBAR JOINT (IHIRHTG)
- 11 - STEERING KIT (IHIRHMSK)
- 12 - WHEEL KIT START (IHIRHWKS)
- 13 - WHEEL KIT MODULAR (IHIRHWKM)
- 14 - WHEEL KIT END (IHIRHWKE)



CODE	DESCRIPTION
------	-------------

IHIRHGS1212	IDRORACK HEAVY – WELDED UPRIGHT 1200X1200H
IHIRHGS1250	IDRORACK HEAVY – WELDED UPRIGHT 1200X500H
IHIRHGS1012	IDRORACK HEAVY – WELDED UPRIGHT 1000X1200H
IHIRHGS1050	IDRORACK HEAVY – WELDED UPRIGHT 1000X500H
IHIRHGS6012	IDRORACK HEAVY – WELDED UPRIGHT 600X1200H
IHIRHGS6050	IDRORACK HEAVY – WELDED UPRIGHT 600X500H



IHIRHSL24	IDRORACK HEAVY – SIDE BEAM 2400
IHIRHSL10	IDRORACK HEAVY – SIDE BEAM 1000
IHIRHSL12	IDRORACK HEAVY – SIDE BEAM 1200
IHIRHSL20	IDRORACK HEAVY – SIDE BEAM 2000



IHIRHTA12	IDRORACK HEAVY – CROSSBAR 1200
IHIRHTA60	IDRORACK HEAVY – CROSSBAR 600
IHIRHTA10	IDRORACK HEAVY – CROSSBAR 1000



IHIRHPFT	IDRORACK HEAVY – GROUND ANCHOR PLATE
----------	--------------------------------------



IHIRHPGG	IDRORACK HEAVY – UPRIGHT JOINT PLATE
----------	--------------------------------------



IHIRHPR	IDRORACK HEAVY – NET POLE 1200
---------	--------------------------------



IHIRHPFF	IDRORACK HEAVY – THREADED ANCHOR PLATE
----------	--

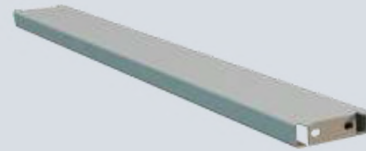


CODE	DESCRIPTION
------	-------------

- IHIRHTR24 WHEELS JOINT PIPE 2400
- IHIRHTR20 WHEELS JOINT PIPE 2000
- IHIRHTR12 WHEELS JOINT PIPE 1200
- IHIRHTR10 WHEELS JOINT PIPE 1000



- IHIRHTG24 LEGS HEAVY CROSSBAR JOINT 2400
- IHIRHTG20 LEGS HEAVY CROSSBAR JOINT 2000
- IHIRHTG12 LEGS HEAVY CROSSBAR JOINT 1200
- IHIRHTG10 LEGS HEAVY CROSSBAR JOINT 1000



IHIRHMSK

STEERING KIT:

- STEERING WHEEL BRACKET - FRONT COVER - REAR COVER
- CHAIN TENSIONER BRACKET - BEARING BUSHING
- STEERING WHEEL BEARING - SEEGER - SPACERS
- STEERING WHEEL PIVOT - SPROCKET - SELF LOCKING NUT
- CHAIN - STEERING WHEEL



IHIRHWKS12
IHIRHWKM12
IHIRHWKE12

WHEELS KIT START / MODULAR / END 1200:

- WELDED WHEEL BRACKET 1200 - DRIVE WHEEL
- DRIVE WHEEL PIVOT START / MODULAR / END
- 20MM BEARINGS X2 - SPACERS
- 2 SPACERS - SPROCKET (START ONLY)



IHIRHWKS10
IHIRHWKM10
IHIRHWKE10

WHEELS KIT START / MODULAR / END 1000:

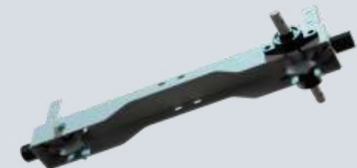
- WELDED WHEEL BRACKET 1000 - DRIVE WHEEL
- DRIVE WHEEL PIVOT START / MODULAR / END
- 20MM BEARINGS X2 - SPACERS
- 2 SPACERS - SPROCKET (START ONLY)



IHIRHWKS60
IHIRHWKM60
IHIRHWKM60

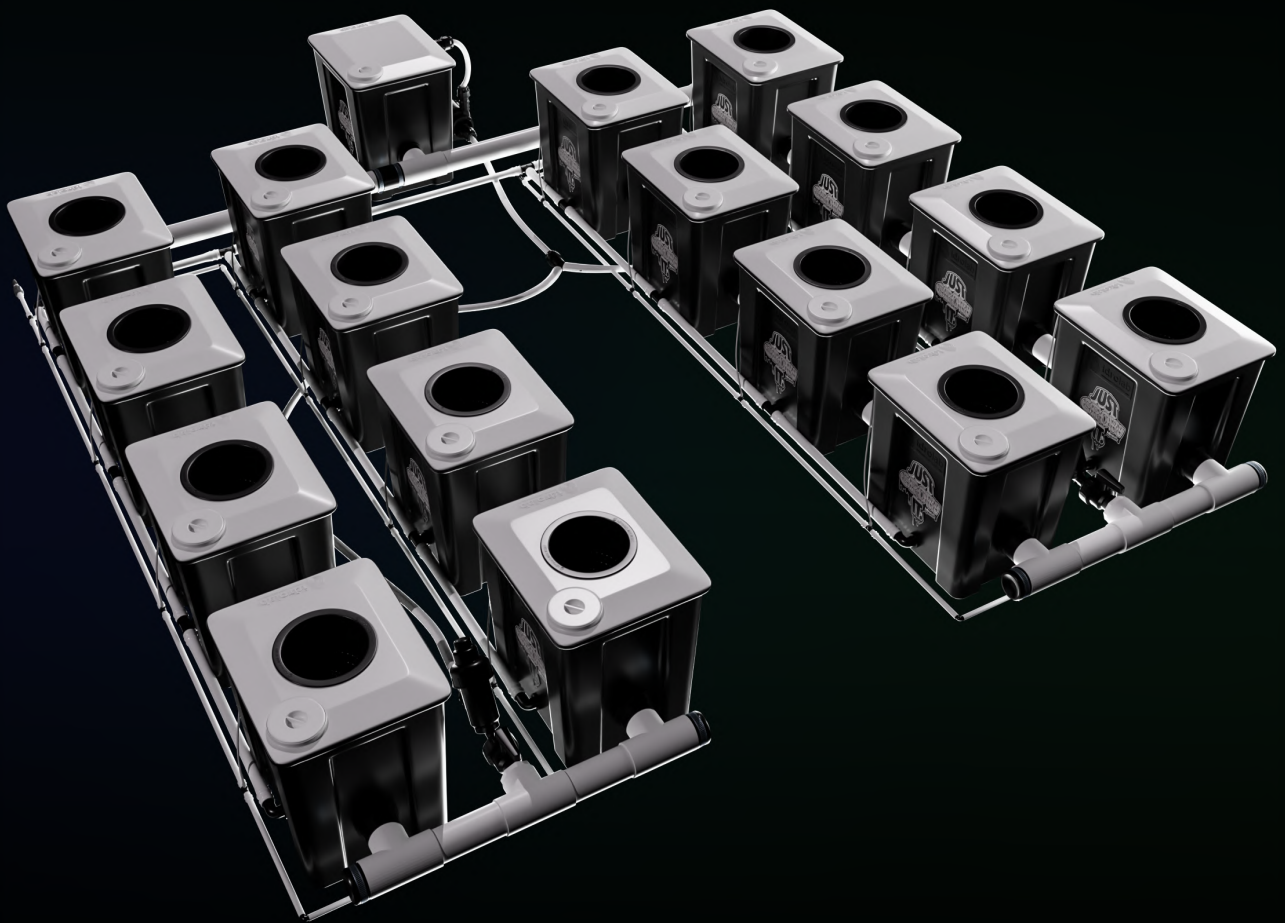
WHEELS KIT START / MODULAR / END 600:

- WELDED WHEEL BRACKET 600 - DRIVE WHEEL
- DRIVE WHEEL PIVOT START / MODULAR / END
- 20MM BEARINGS X2 - SPACERS
- 2 SPACERS - SPROCKET (START ONLY)



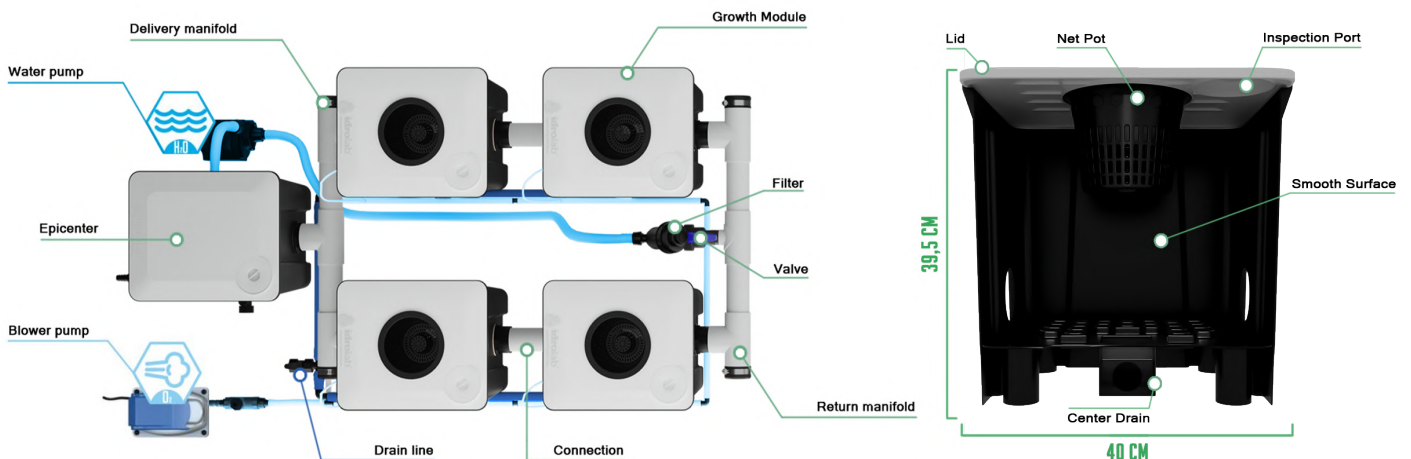
RDWC SYSTEMS

DEVELOP THE FULL POTENTIAL



HOW IT WORKS

RDWC systems are able to push plants to develop to their full genetic potential at an accelerated rate. Constant recirculation and high dissolved oxygen levels optimise nutrient uptake and increase the shelf life of the nutrient solution. Continuous fluid movement ensures pH, EC, and temperature levels across all modules in the system.

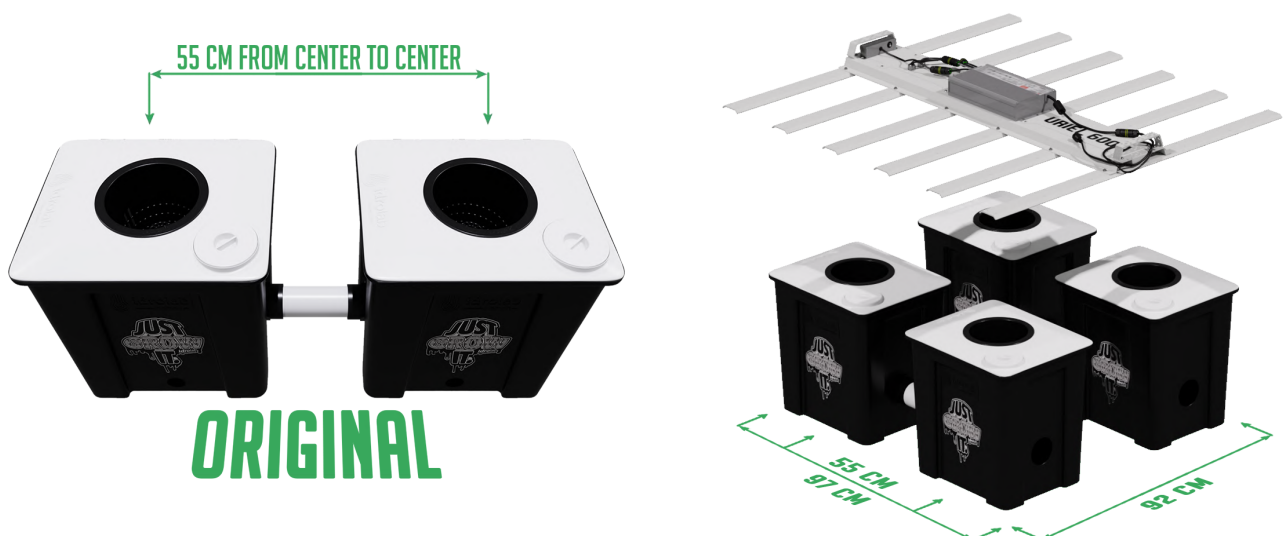


HIGH PERFORMANCE ACCELERATED GROWTH

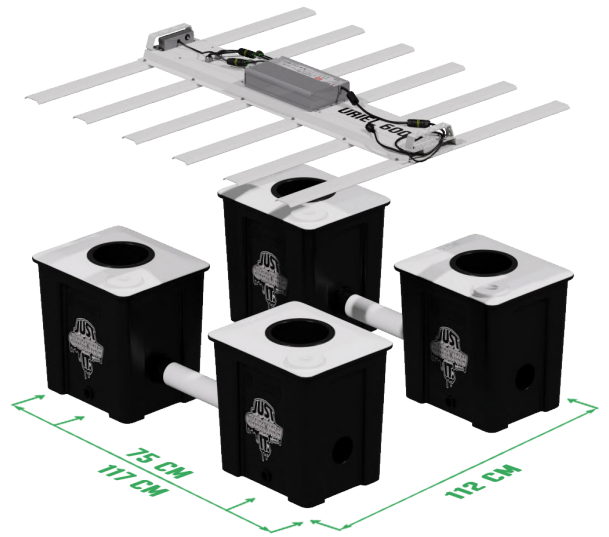
Our new **RDWC systems** are the ultimate solution for the most demanding growers. The terpene profile and essential oil content that plants develop when grown with this technique are globally recognised and sought after.

We want to enable growers to work with a reliable system, manufactured to last with the best materials available on the market. We introduced a new cultivation module with increased thickness and a lower drain point that allows complete drainage of the nutrient solution. This improved system also utilises new net pots, new lids, and new seals for maximised longevity. Every detail is designed to enhance the grower's experience when using our RDWC system.

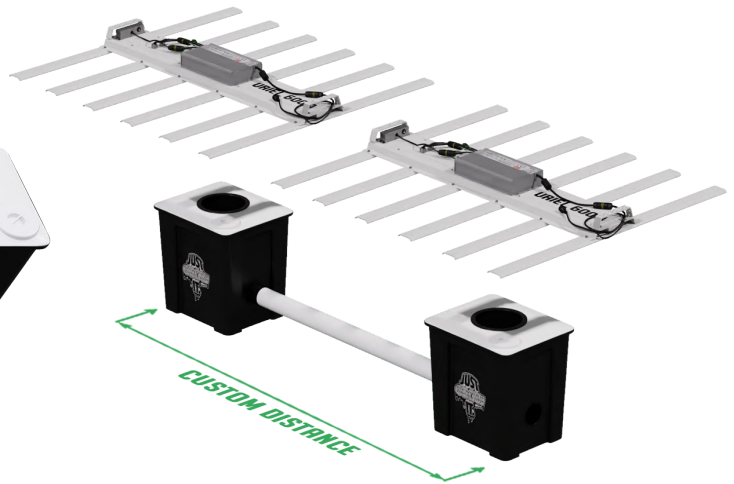
All systems are easily integrated with automation and control devices. Available in 24 standard configurations and endless custom configurations to suit your specific needs.



Designed for rapid vegetative growth and high-intensity flowering with up to 4 plants per square meter.



Designed for a longer vegetative growth and flowering with a reduced number of plants per square meter



For special spacing requirements, contact our team who will help you configure the RDWC system by finding the best possible solution for your space



IHGML150



IHGML125



IHGML2125



IHGMLNH



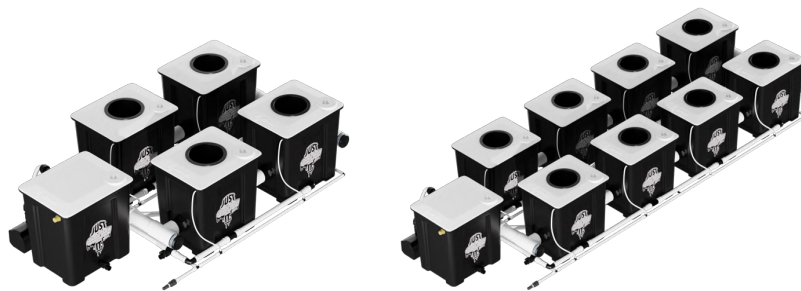
RDWC System with con REMOTE EPICENTER



IHNP150

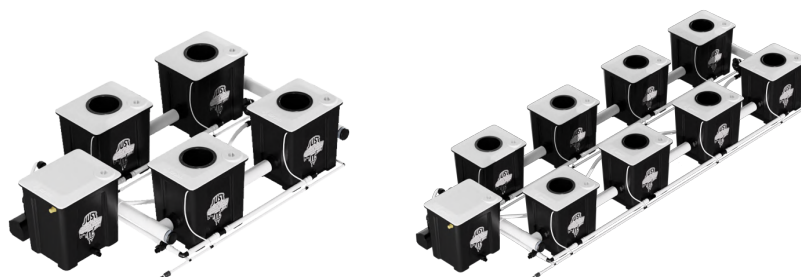
IHNP125

RDWC ORIGINAL 2

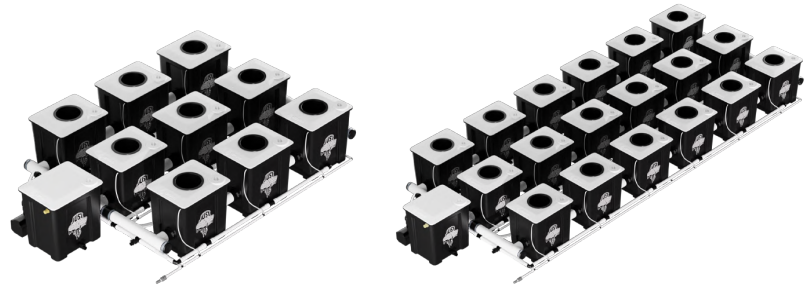


IDROLAB RDWC	IHRDWC204	IHRDWC206	IHRDWC208	IHRDWC2012	IHRDWC2016
DIMENSIONS (cm)	168,5 X 88	225 X 88	281,5 X 88	394,5 X 88	507,5 X 88
SYSTEM VOLUME (L)	185	260	330	480	625
USEFUL VOLUME (L)	135	190	245	350	460
BLOWER PUMP (LPM)	60	60	80	60 (2)	80 (2)
AREATION RATIO (LPM/L)	0,44	0,32	0,33	0,34	0,33
WATER PUMP (LPH)	2500	2500	2500	4000	5800
RECIRCULATION RATIO (LPH/L)	18,5	13,15	10,2	11,43	12,6
POWER (Watts)	90	90	110	130	205
RCMNDD ILLUMINATION (Watts)	600	600 (2)	600 (2)	600 (3)	600 (4)
RCMNDD RESERVOIR (L)	150	200	250	400	500
RCMNDD WATER CHILLED	HY500	HY500	HY1000	HY1000	HY2000
RCMNDD VEGETATIVE GROWTH (cm)	30-50	30-50	30-50	30-50	30-50

RDWC LARGE 2

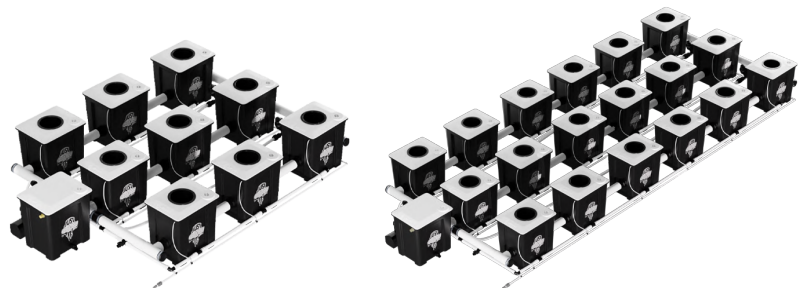


IDROLAB RDWC	IHRDWC2L4	IHRDWC2L6	IHRDWC2L8	IHRDWC2L12	IHRDWC2L16
DIMENSIONS (cm)	188,5 X 105	265 X 108	341,5 X 108	494,5 X 88	647,5 X 88
SYSTEM VOLUME (L)	195	270	340	490	635
USEFUL VOLUME (L)	145	200	255	360	510
BLOWER PUMP (LPM)	60	60	80	60 (2)	80 (2)
AREATION RATIO (LPM/L)	0,41	0,3	0,31	0,33	0,31
WATER PUMP (LPH)	2500	2500	2500	4000	5800
RECIRCULATION RATIO (LPH/L)	17,25	12,5	9,8	11,1	11,4
POWER (Watts)	90	90	110	130	205
RCMNDD ILLUMINATION (Watts)	1000	1000 (2)	1000 (2)	1000 (3)	1000 (4)
RCMNDD RESERVOIR (L)	150	200	250	400	500
RCMNDD WATER CHILLED	HY500	HY500	HY1000	HY1000	HY2000
RCMNDD VEGETATIVE GROWTH (cm)	50-70	50-70	50-70	50-70	50-70



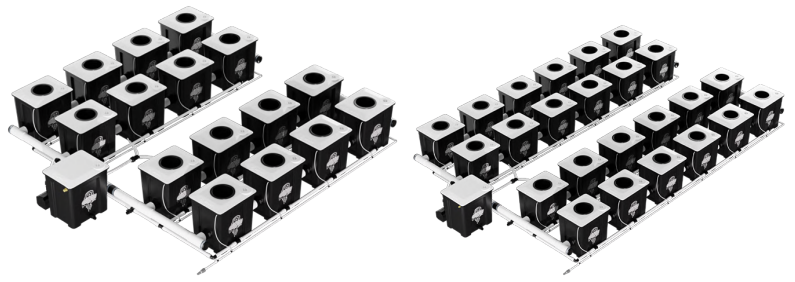
RDWC ORIGINAL 3

IDROLAB RDWC	IHRDWC309	IHRDWC3012	IHRDWC3018	IHRDWC3024
DIMENSIONS (cm)	225 X 142	281,5 X 142	394,5 X 142	507,5 X 142
SYSTEM VOLUME (L)	370	480	700	920
USEFUL VOLUME (L)	270	350	515	675
BLOWER PUMP (LPM)	80	60(2)	60 (3)	80 (3)
AREATION RATIO (LPM/L)	0,3	0,34	0,35	0,35
WATER PUMP (LPH)	2500	4000	5800	5800
RECIRCULATION RATIO (LPH/L)	9,26	11,43	11,26	8,6
POWER (Watts)	90	130	210	270
RCMNDD ILLUMINATION (Watts)	1000	1000 (2)	1000 (3)	1000 (4)
RCMNDD RESERVOIR (L)	300	400	600	750
RCMNDD WATER CHILLED	HY1000	HY1000	HY2000	HY2000
RCMNDD VEGETATIVE GROWTH (cm)	30-50	30-50	30-50	30-50



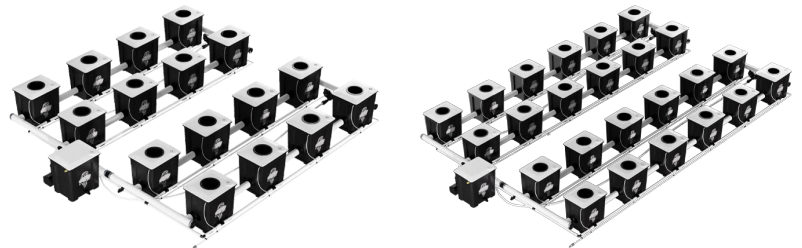
RDWC LARGE 3

IDROLAB RDWC	IHRDWC3L9	IHRDWC3L12	IHRDWC3L18	IHRDWC3L24
DIMENSIONS (cm)	265 X 182	341,5 X 182	494,5 X 182	647,5 X 182
SYSTEM VOLUME (L)	380	490	710	930
USEFUL VOLUME (L)	280	360	525	675
BLOWER PUMP (LPM)	80	60(2)	60 (3)	80 (3)
AREATION RATIO (LPM/L)	0,28	0,33	0,34	0,35
WATER PUMP (LPH)	2500	4000	5800	5800
RECIRCULATION RATIO (LPH/L)	8,93	11,11	11,05	8,6
POWER (Watts)	90	130	210	270
RCMNDD ILLUMINATION (Watts)	1000	1000 (2)	1000 (3)	1000 (4)
RCMNDD RESERVOIR (L)	300	400	600	750
RCMNDD WATER CHILLED	HY1000	HY2000	HY2000	HY2000
RCMNDD VEGETATIVE GROWTH (cm)	30-50	50-70	50-70	50-70



RDWC ORIGINAL 4

IDROLAB RDWC	IHRDWC4016	IHRDWC4024	IHRDWC4032
DIMENSIONS (cm)	281,5 X 244,5	395,5 X 244,5	507,5 X 244,5
SYSTEM VOLUME (L)	625	920	1215
USEFUL VOLUME (L)	460	675	945
BLOWER PUMP (LPM)	80 (2)	80 (3)	80 (4)
AREATION RATIO (LPM/L)	0,35	0,35	0,34
WATER PUMP (LPH)	5800	5800	5800
RECIRCULATION RATIO (LPH/L)	12,6	8,6	6,15
POWER (Watts)	210	270	330
RCMNDD ILLUMINATION (Watts)	600 (4)	600 (6)	600 (8)
RCMNDD RESERVOIR (L)	500	750	1000
RCMNDD WATER CHILLED	HY2000	HY2000	HY3000
RCMNDD VEGETATIVE GROWTH (cm)	30-50	30-50	30-50



RDWC LARGE 4

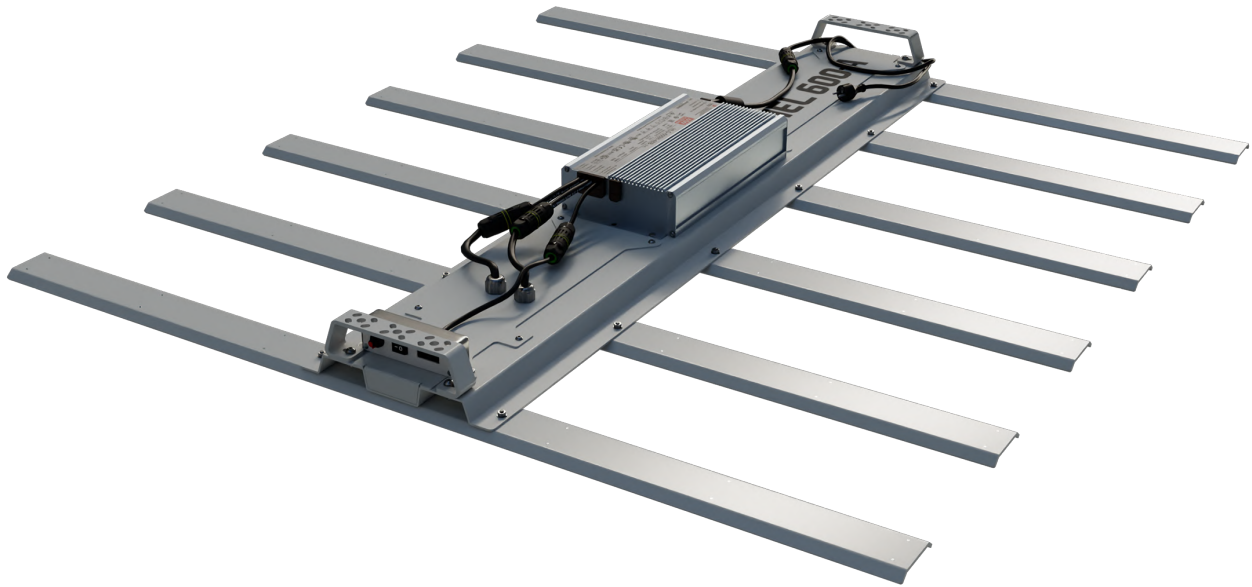
IDROLAB RDWC	IHRDWC4L16	IHRDW4L24	IHRDWC4L32
DIMENSIONS (cm)	341,5 X 284,5	495,5 X 284,5	647,5 X 284,5
SYSTEM VOLUME (L)	645	940	1235
USEFUL VOLUME (L)	480	675	965
BLOWER PUMP (LPM)	80 (2)	80 (3)	80 (4)
AREATION RATIO (LPM/L)	0,33	0,35	0,33
WATER PUMP (LPH)	5800	5800	5800
RECIRCULATION RATIO (LPH/L)	12,1	8,6	6,1
POWER (Watts)	210	270	330
RCMNDD ILLUMINATION (Watts)	1000 (4)	1000 (6)	1000 (8)
RCMNDD RESERVOIR (L)	500	750	1000
RCMNDD WATER CHILLED	HY2000	HY2000	HY3000
RCMNDD VEGETATIVE GROWTH (cm)	50-70	50-70	50-70

URIEL 600-A

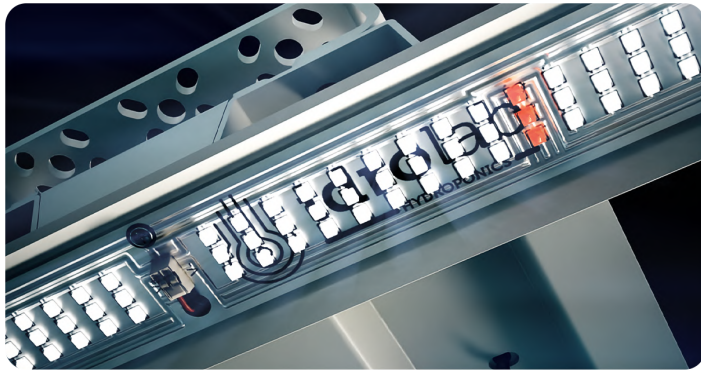
LET THERE BE LIGHT



After years of continuous requests, we have decided to launch our first LED!
The URIEL 600-A has been rigorously tested with Italy's best growers, providing unparalleled results
time and time again: the **URIEL 600-A**, the flame of God



URIEL 600-A TECHNICAL SPECS



LED

1728 SAMSUNG LM301H
64 LH351H V2 DEEP RED 660NM

VOLTAGE RANGE

120 VAC - 277 VAC

POWER

60 - 600 WATTS

DIMENSION
102 CM X 106 CM X 8 CM

WEIGHT
9 KG

EFFICIENCY (PPF/W)
2.8 PPF/W





FLOWERING FOOTPRINT
1,5 X 1,5 A 75 CM

VEG FOOTPRINT
2,0 X 2,0 A 120 CM

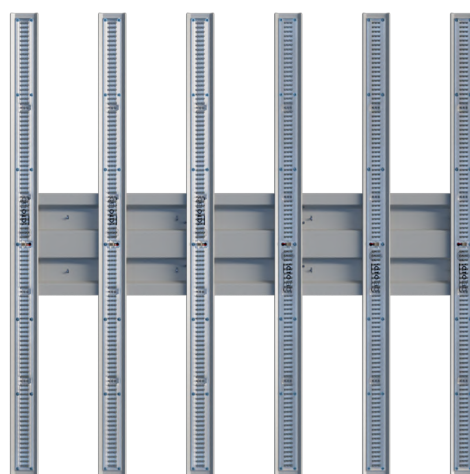
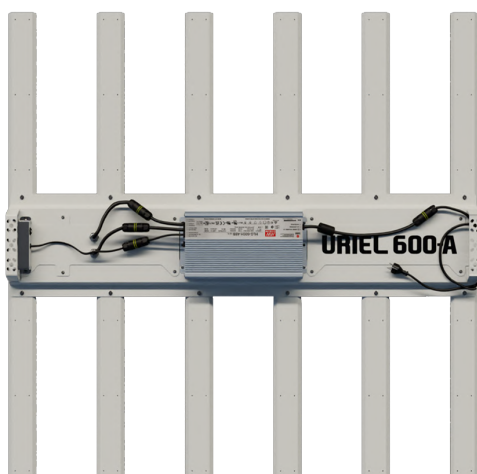
DIMMABLE
MANUAL OR 0-10V OPTION

TOTAL OUTPUT (PPF)
1930

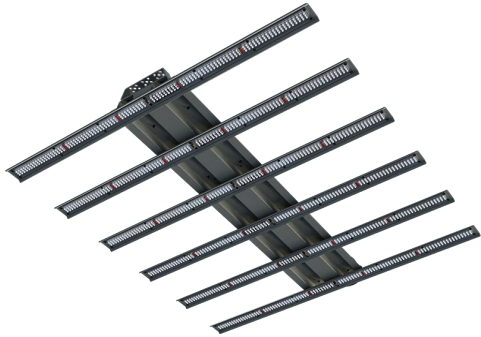
WARRANTY
2 YEARS



The URIEL 600-A represents a pinnacle in LED design and manufacturing, boasting a unique construction from 4 mm solid aluminum sheets that ensures unparalleled solidity and passive dissipation capabilities. Crafted meticulously by hand in our factory, each LED embodies our commitment to quality and innovation.

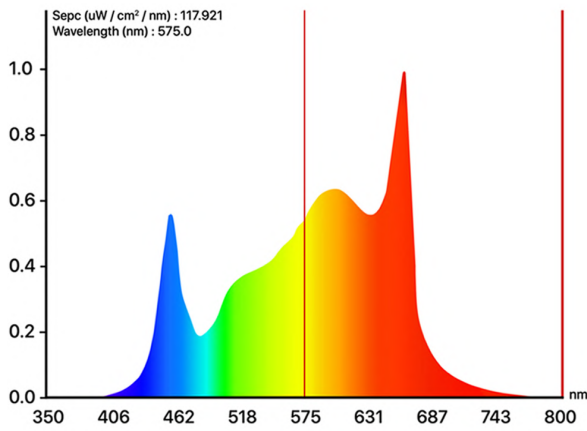
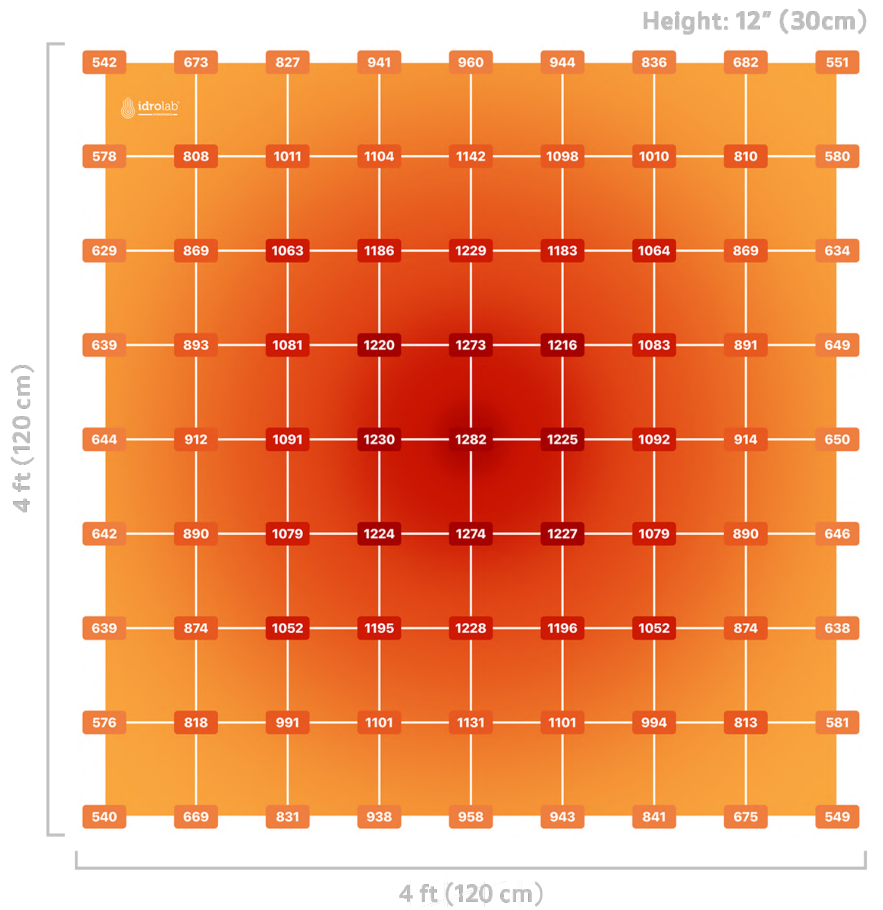


When you choose Idrolab Hydroponics, you're not merely purchasing a piece of growing equipment; you're becoming part of a network deeply entrenched in the industry. Our dedication extends beyond the point of sale, with after-sales support and assistance that sets a new standard. Additionally, our agronomic consultations are renowned throughout Europe for their value and expertise.



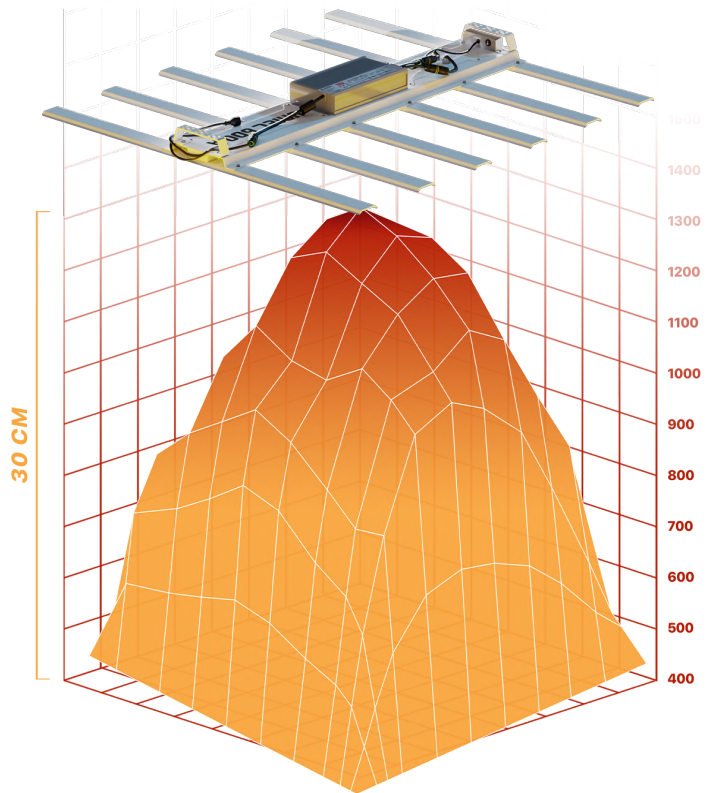
URIEL 600-A PPFD MAP

Tested on a 4x4 ft grow tent



Furthermore, our laboratory stands ready to create custom lighting solutions tailored to your specific crop needs. Whether you require specialized spectrums, intensity levels, or coverage, our team can develop a lighting study to optimize your growth environment.

Contact us today to discover how the URIEL 600-A and our comprehensive services can elevate your cultivation endeavors to new heights.



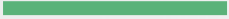
CODE

IHUA600

DESCRIPTION

LED URIEL 600-A

NOTES



A series of 25 horizontal dotted lines for writing notes.



PRODUCTS CATALOG

IDROLAB HYDROPONICS - VIALE DEI RIVI, 15, 29020 GOSSOLENGO (PC) - ITALY
WWW.IDROLABHYDROPONICS.COM - INFO@IDROLABHYDROPONICS.COM - TEL. +39 334 1195417

ANY REPRODUCTION, PUBLISHING, DISTRIBUTION OR PUBLIC EXPOSURE OF THE SUPPLIED MATERIAL IN THIS CATALOG, TOTALLY OR IN PART, IS SEVERLY PROHIBITED.

THE INFORMATION PRESENT IN THIS CATALOG ARE SUPPLIED BY *IDROLAB* IN GOOD FAITH AND THEY ARE PERIODICALLY CHECKED. PRECISE AND COMPLETE INFORMATION IS NOT HOWEVER GUARANTEED. NOT IN ANY CASE WILL *IDROLAB* BE HELD LIABLE FOR ANY DIRECT OR INDIRECT DAMAGE DERIVED FROM THE USE OF THE INFORMATION CONTAINED IN THE PRESENT CATALOG OR IN THE WEBSITE.



@IDROLABHYDROPONICS

GROW BIG OR GO HOME